

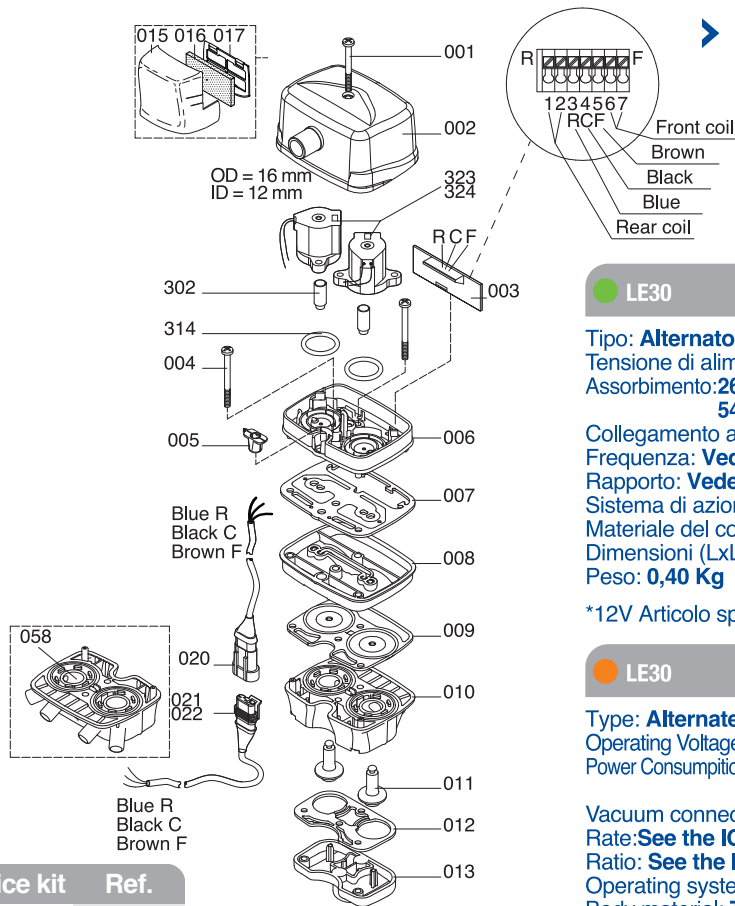
| Pos. | Ref. | Note |
|------------|---------|---------|
| 001 | 1060023 | |
| 002 | 1060024 | |
| 003 | 1030046 | 12/24V |
| 004 | 1030151 | |
| 005 | 1060011 | |
| 006 | 1060005 | |
| 007 | 1060120 | |
| 008 | 1060102 | |
| 009 | 1060034 | |
| 010 | 1060109 | 2 Exits |
| 011 | 1060090 | |
| 012 | 1060104 | |
| 013 | 1060001 | |
| 015 | 1030108 | |
| Top 30 016 | 1030110 | |
| 017 | 1030109 | |
| 018 | 1030111 | |
| 020 | 1030274 | |
| 021 | 1030272 | 1.5 mt |
| 022 | 1030269 | 10 mt |
| 058 | 1060110 | 4 Exits |
| 302 | 1030256 | |
| 314 | 2800122 | |
| Top 30 323 | 1030314 | 24V |
| Top 30 324 | 1030315 | 12V |

Top 30 pag. 162-163

LE/LP/CV30 service kit Ref.



1060115



➤ LE30 (IC POWER UNIT)

LE30

Tipo: Alternato o Simultaneo
 Tensione di alimentazione: 12*/24VDC livellata
 Assorbimento: 260 mA (130 mA per bobina 24V)
 540 mA (270 mA per bobina 12V)
 Collegamento al vuoto: 1/2" Gas femmina
 Frequenza: **Vedere centralina IC**
 Rapporto: **Vedere centralina IC**
 Sistema di azionamento: **Servo-Diretto**
 Materiale del corpo: **Resina termoplastica**
 Dimensioni (LxLxA): 85x90x105 mm
 Peso: **0,40 Kg**

*12V Articolo speciale disponibile su richiesta

LE30

Type: Alternate or Simultaneous
 Operating Voltage: 12*/24VDC unregulated-filtered
 Power Consumption: 260 mA (130 mA for solenoid 24V)
 540 mA (270 mA for solenoid 12V)
 Vacuum connection: 1/2" Bsp female
 Rate: **See the IC controller**
 Ratio: **See the IC controller**
 Operating system: **Servo-Direct**
 Body material: **Thermoplastic resin**
 Dimensions (LxWxH): 85x90x105 mm
 Weight: **0,40 Kg**

*12V Special item available on demand

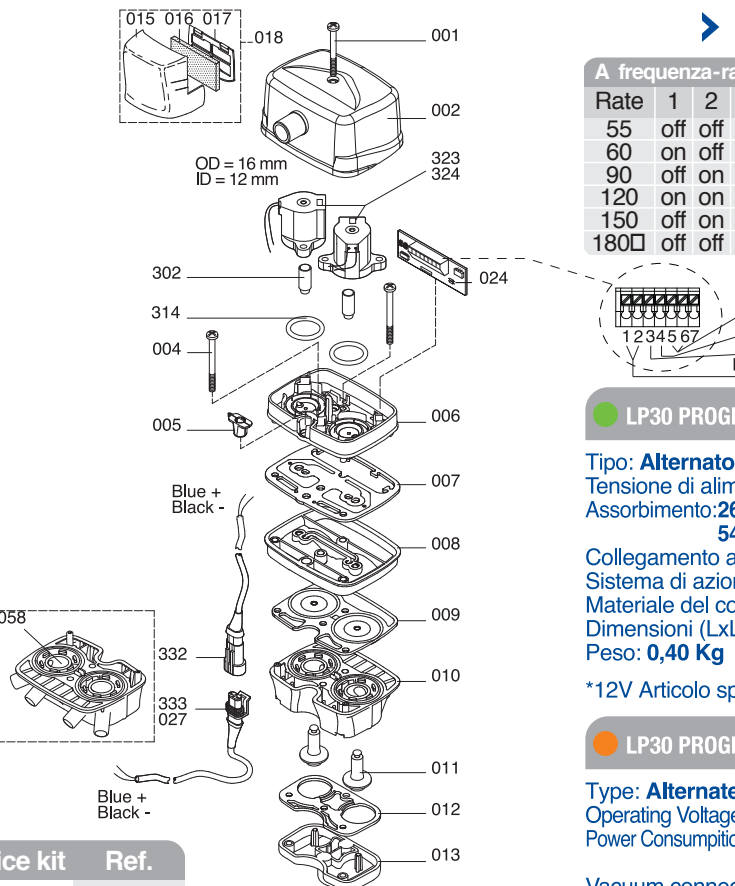
| Pos. | Ref. | Note |
|------------|---------|---------|
| 001 | 1060023 | |
| 002 | 1060031 | |
| 004 | 1030151 | |
| 005 | 1060011 | |
| 006 | 1060005 | |
| 007 | 1060120 | |
| 008 | 1060102 | |
| 009 | 1060034 | |
| 010 | 1060109 | 2 Exits |
| 011 | 1060090 | |
| 012 | 1060104 | |
| 013 | 1060133 | |
| 015 | 1030108 | |
| Top 30 016 | 1030110 | 4 Exits |
| 017 | 1030109 | |
| 018 | 1030111 | |
| 058 | 1060110 | |
| 024 | 1030476 | |
| 027 | 1030268 | 10 mt |
| Top 30 302 | 1030256 | |
| 314 | 2800122 | |
| Top 30 323 | 1030314 | 24VDC |
| Top 30 324 | 1030315 | 12VDC |
| 332 | 1030275 | |
| 333 | 1030273 | 1.5 mt |

Top 30 pag. 162-163

LE/LP/CV30 service kit Ref.



1060115



➤ LP30 (IT POWER UNIT)

| A frequenza-rate | | | | B rapporto-ratio | | | | | |
|------------------|-----|-----|-----|------------------|-------|-----|-----|-----|--|
| Rate | 1 | 2 | 3 | Front | Rear | 4 | 5 | 6 | |
| 55 | off | off | off | 50/50 | 60/40 | off | off | off | |
| 60 | on | off | off | 55/45 | 60/40 | on | off | off | |
| 90 | off | on | off | 50/50 | 50/50 | off | on | off | |
| 120 | on | on | off | 60/40 | 60/40 | on | on | off | |
| 150 | off | on | on | 65/35 | 65/35 | off | off | on | |
| 180 | off | off | on | 70/30 | 70/30 | on | off | on | |

LE30 LP30 PROGRAMMABILE

Tipo: Alternato o Simultaneo
 Tensione di alimentazione: 12*/24VDC livellata
 Assorbimento: 260 mA (130 mA per bobina 24V)
 540 mA (270 mA per bobina 12V)
 Collegamento al vuoto: 1/2" Gas femmina
 Sistema di azionamento: **Servo-Diretto**
 Materiale del corpo: **Resina termoplastica**
 Dimensioni (LxLxA): 85x90x105 mm
 Peso: **0,40 Kg**

*12V Articolo speciale disponibile su richiesta

LP30 PROGRAMMABILE

Type: Alternate or Simultaneous
 Operating Voltage: 12*/24VDC unregulated-filtered
 Power Consumption: 260 mA (130 mA for solenoid 24V)
 540 mA (270 mA for solenoid 12V)
 Vacuum connection: 1/2" Bsp female
 Operating system: **Servo-Direct**
 Body material: **Thermoplastic resin**
 Dimensions (LxWxH): 85x90x105 mm
 Weight: **0,40 Kg**

*12V Special item available on demand